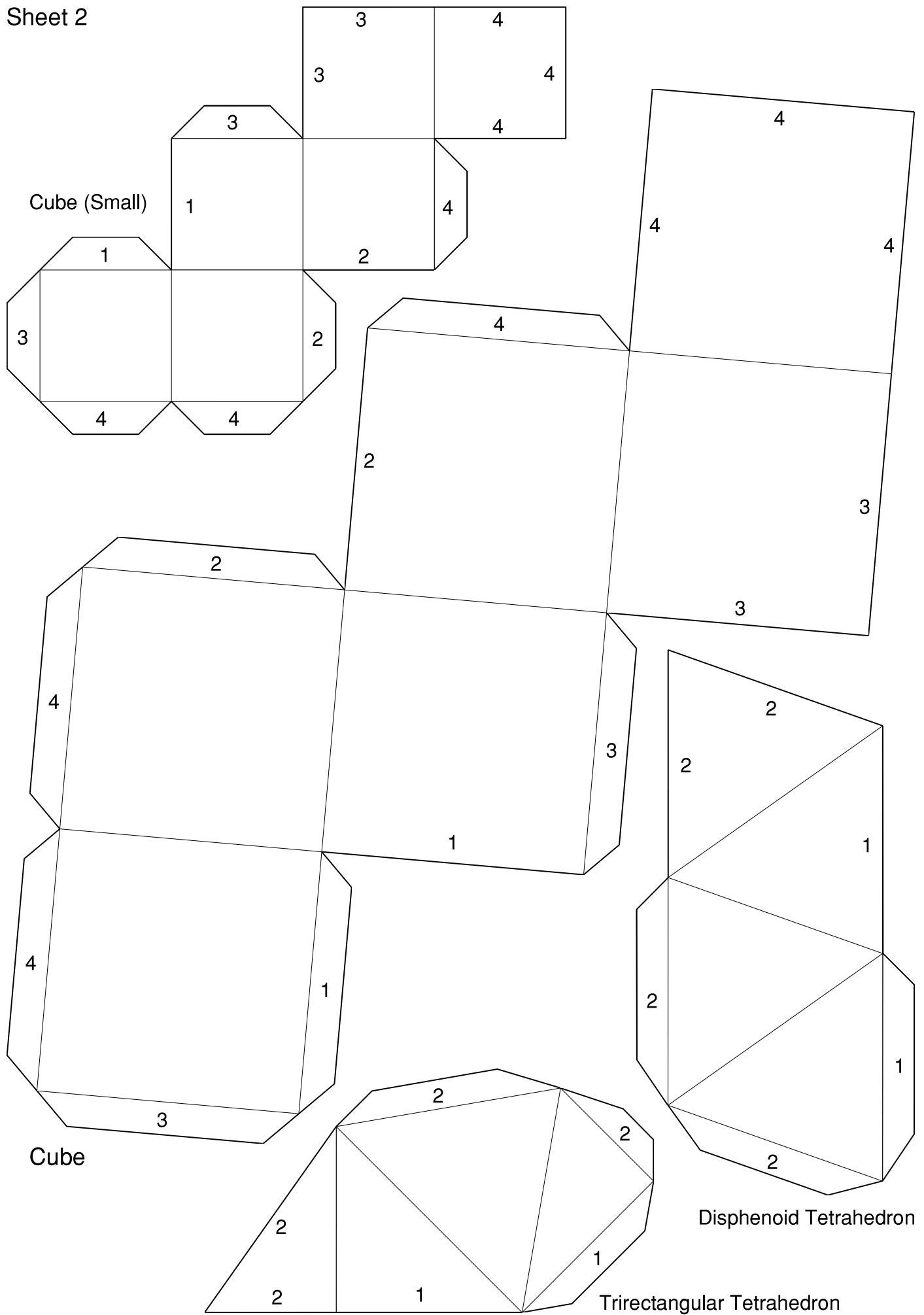


Rhombic Dodecahedron

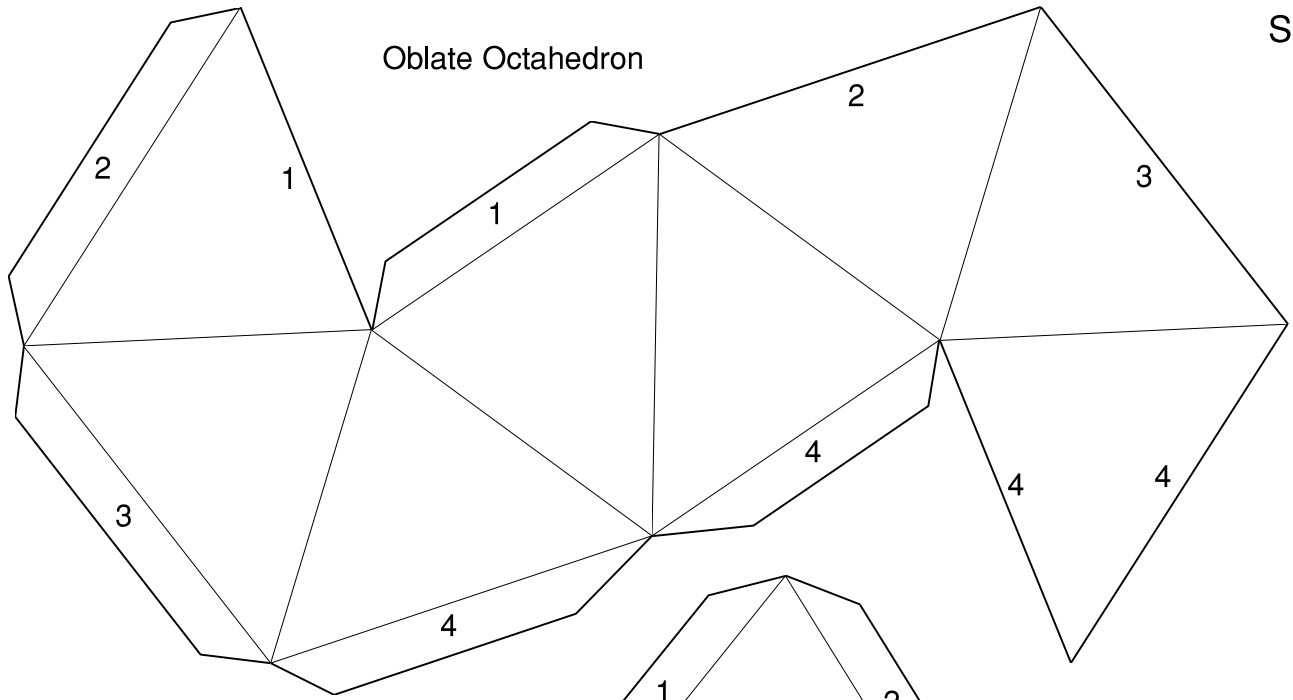
Characteristic Tetrahedron (Lefthanded)

Characteristic Tetrahedron (Righthanded)

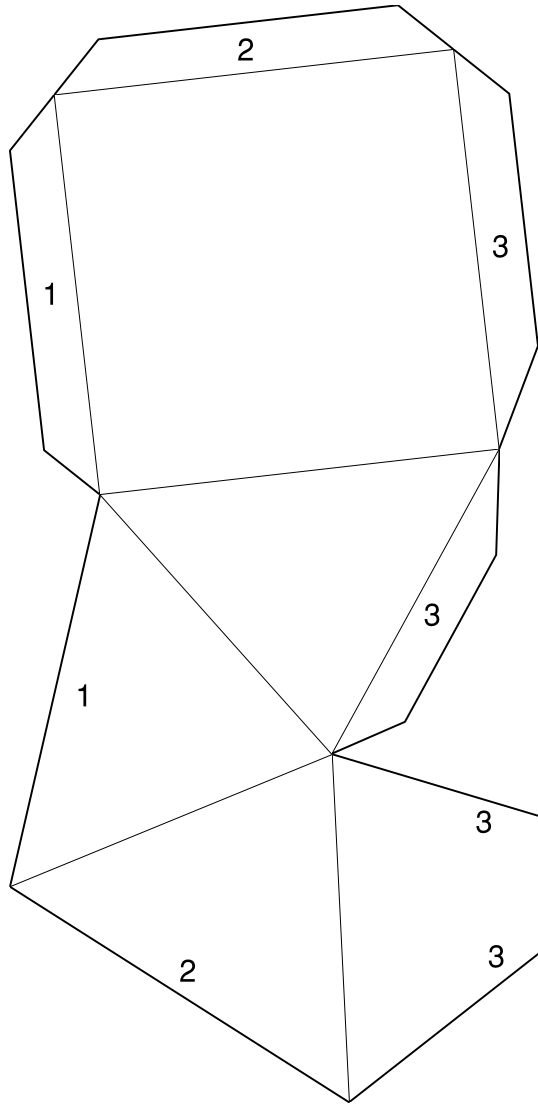
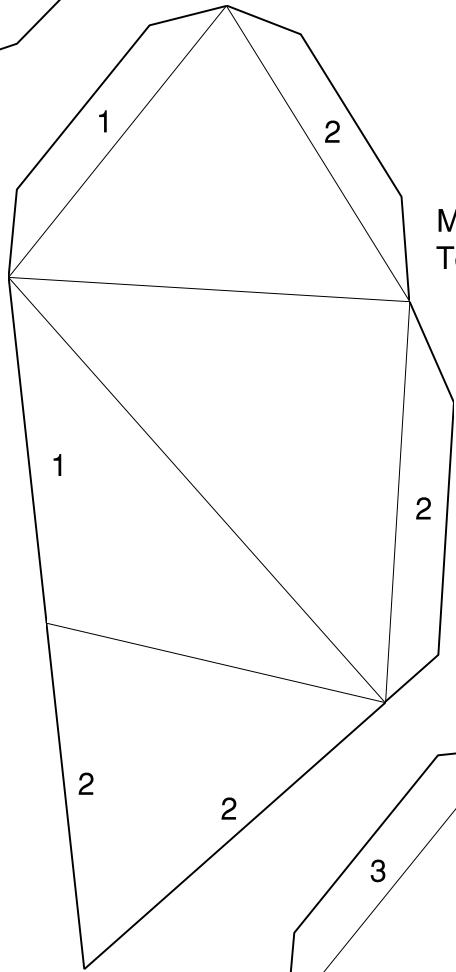
Sheet 2



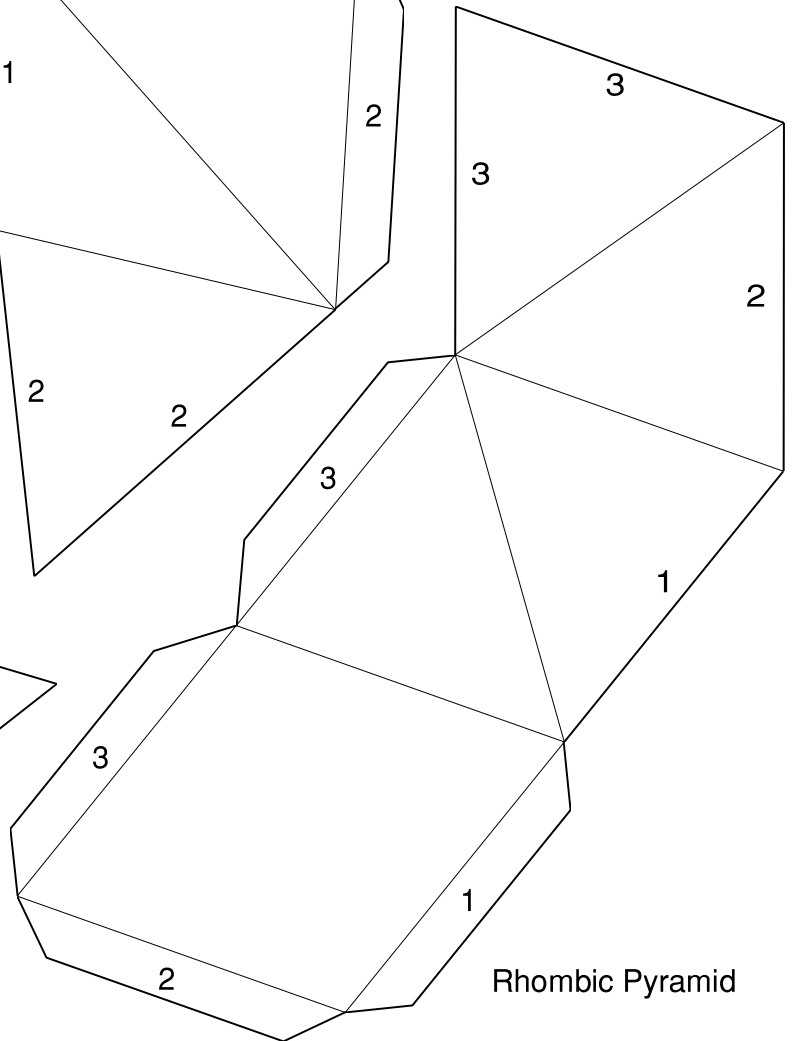
Oblate Octahedron



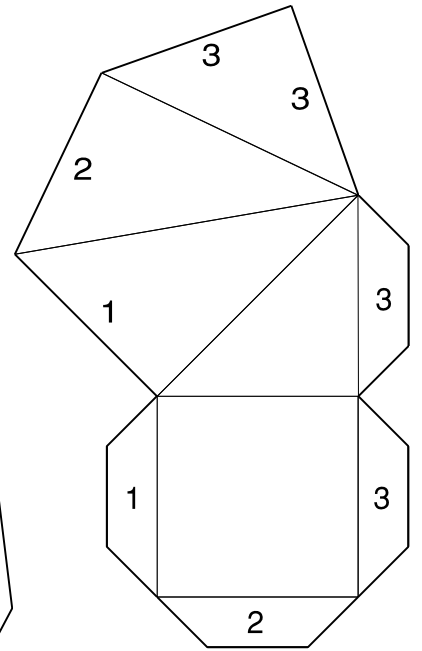
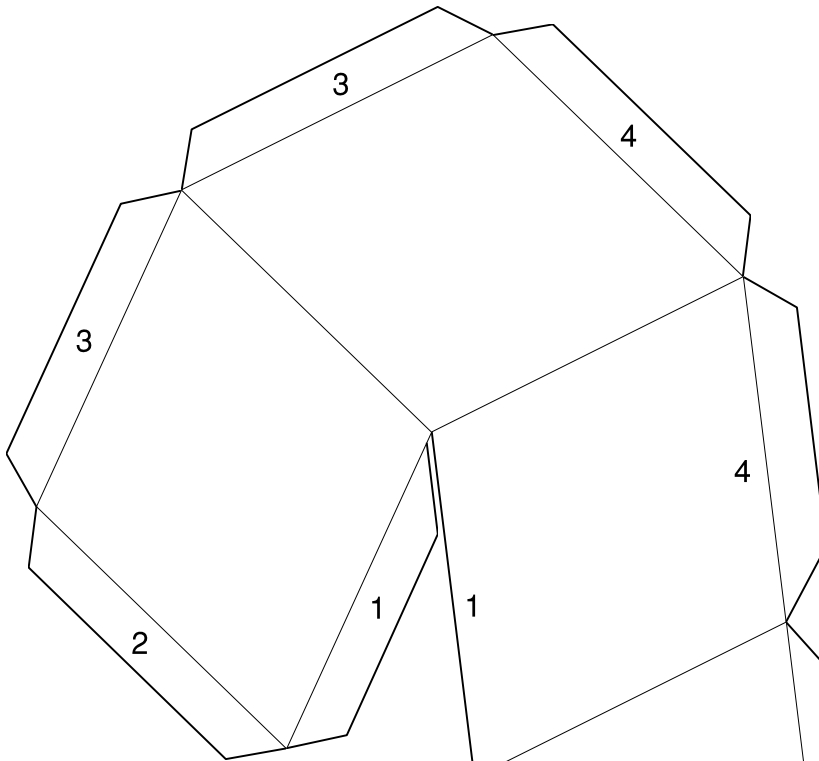
Monorectangular Tetrahedron



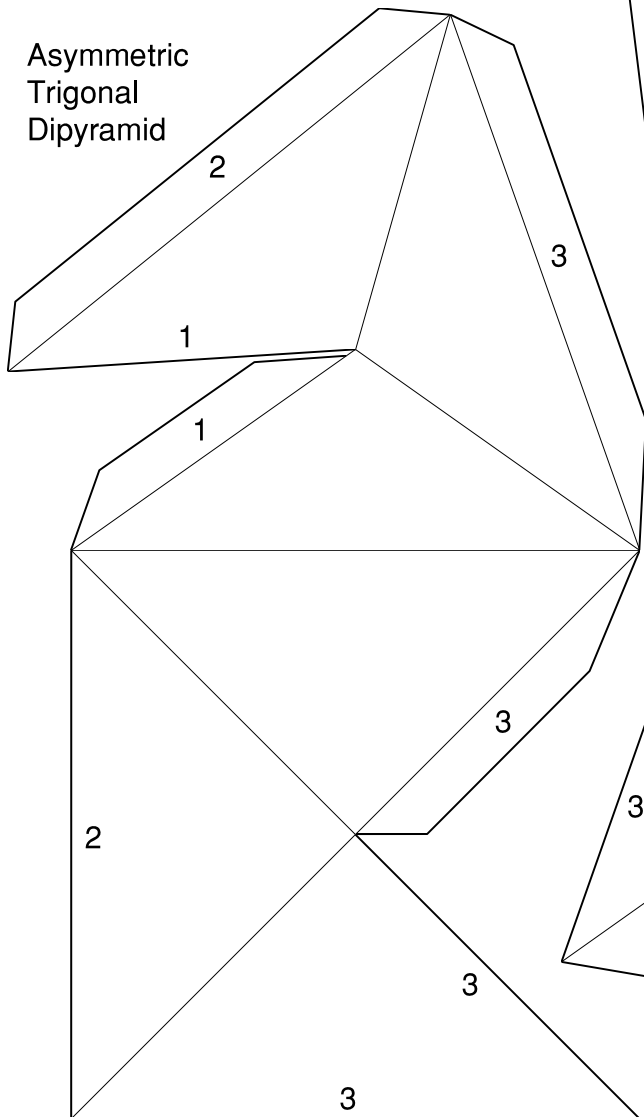
Oblate Square Pyramid



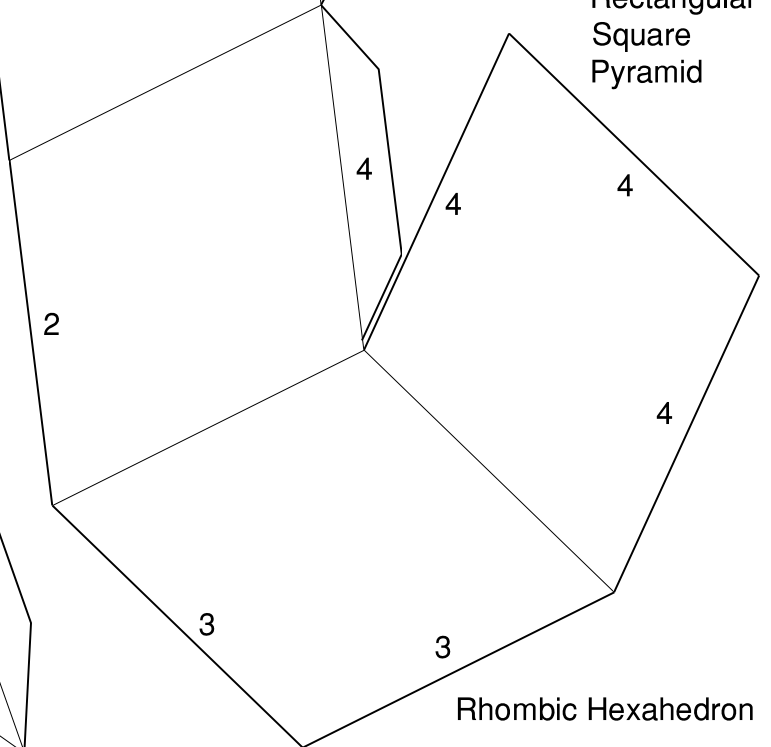
Rhombic Pyramid



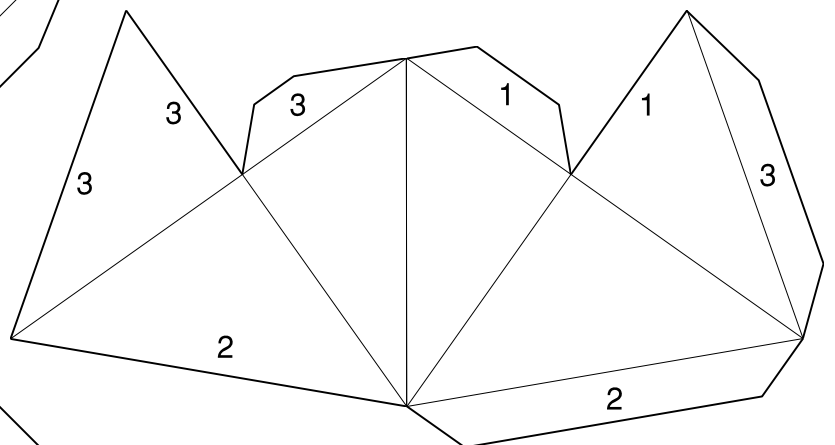
Rectangular Square Pyramid



Asymmetric Trigonal Dipyramid



Rhombic Hexahedron



Skewed Trigonal Dipyramid